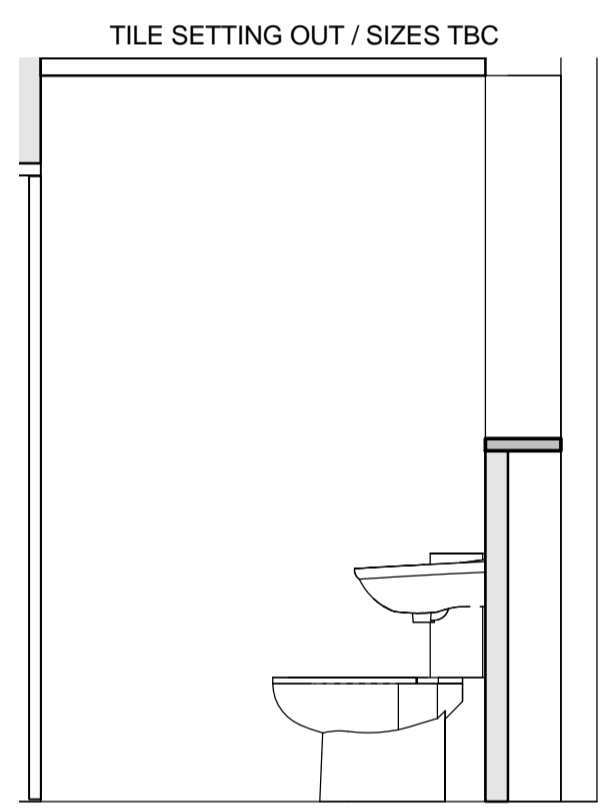
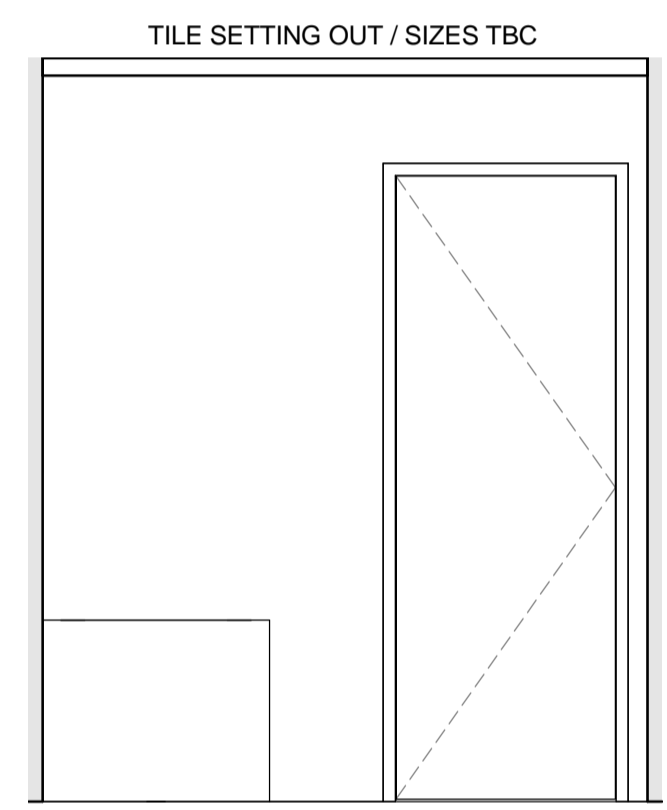
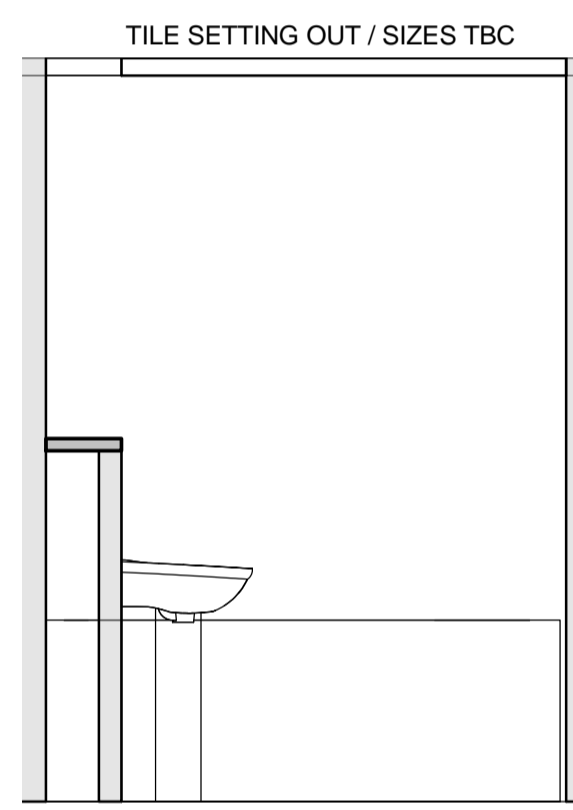
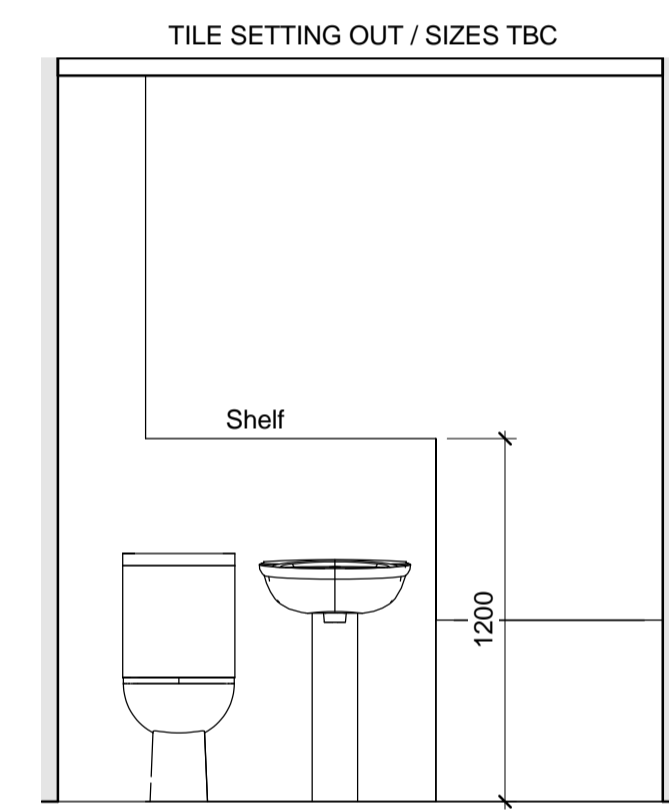
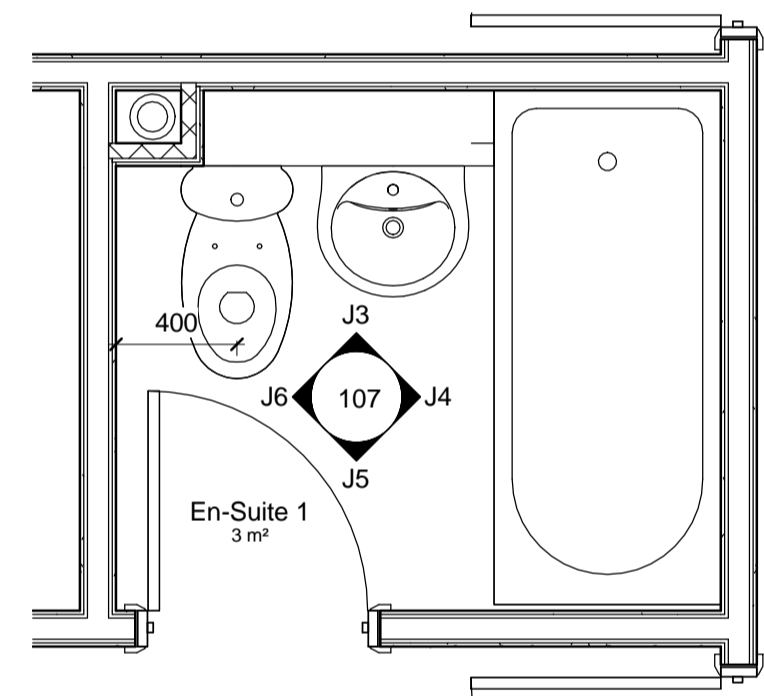


J1 Elevation J1
1 : 25

J2 Elevation J2
1 : 25

2 Flat Type J Kitchen
1 : 25



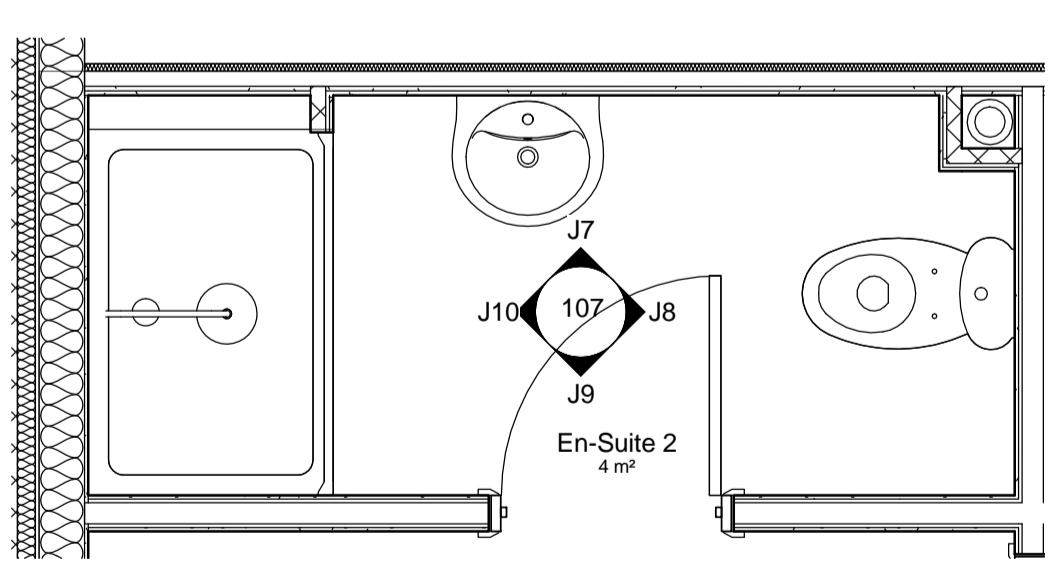
J3 Elevation J3
1 : 25

J4 Elevation J4
1 : 25

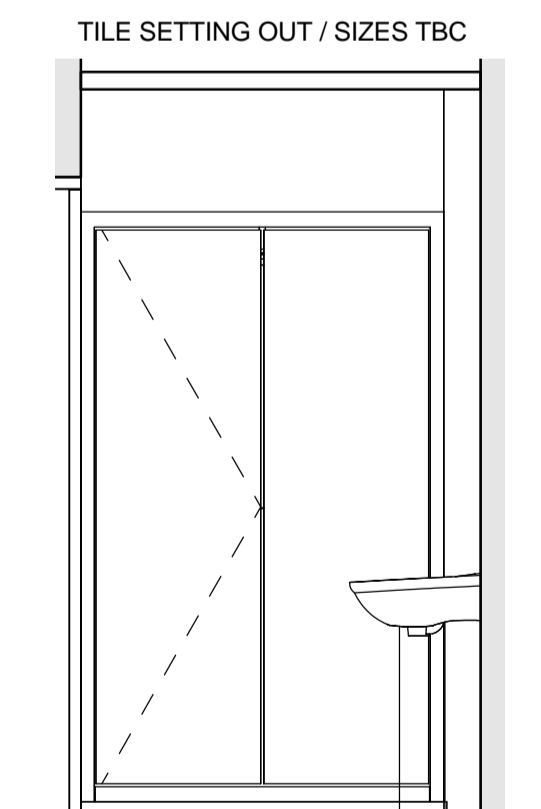
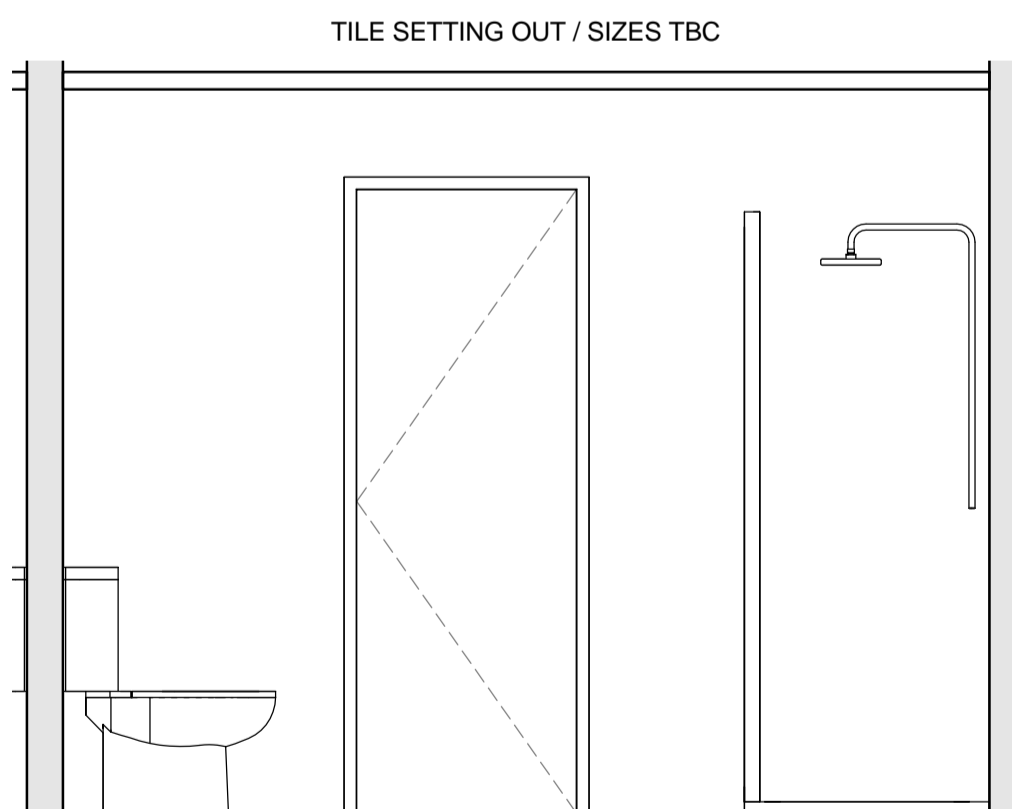
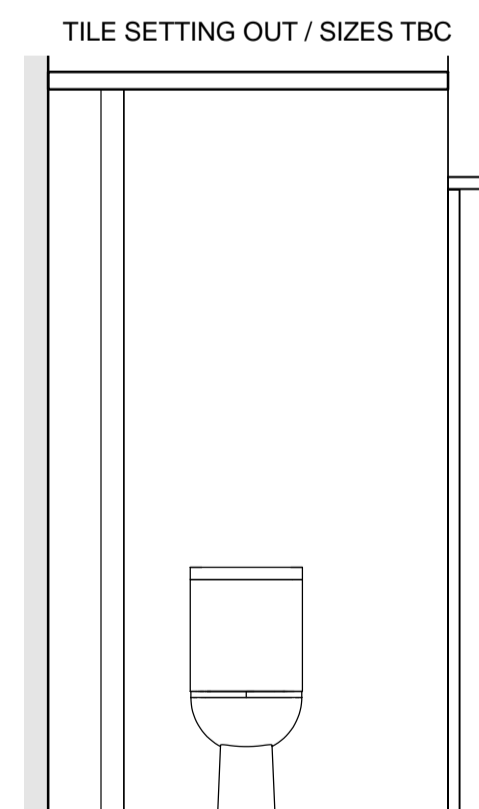
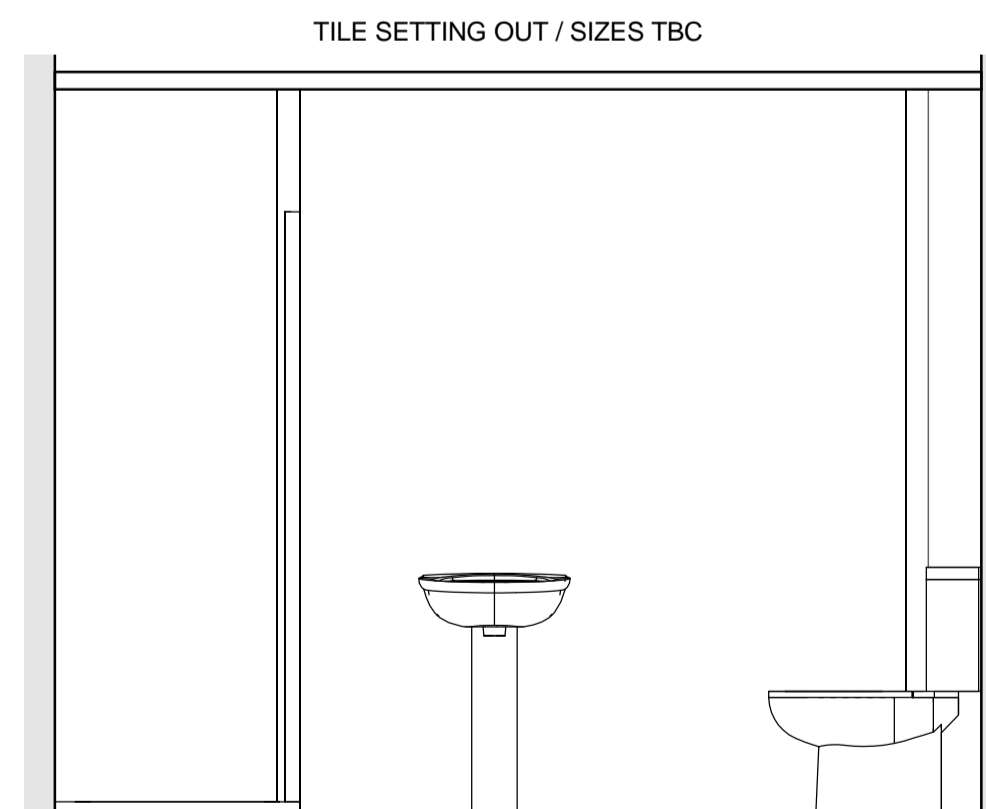
J5 Elevation J5
1 : 25

J6 Elevation J6
1 : 25

3 Flat Type J En-Suite 1
1 : 25



4 Flat Type J En-Suite 2
1 : 25



J7 Elevation J7
1 : 25

J8 Elevation J8
1 : 25

J9 Elevation J9
1 : 25

J10 Elevation J10
1 : 25

REV	DATE	CHK	AMENDMENTS	NOTES
E00	08.08.16	NJT	Initial Issue for information / comment	

Feilden+Mawson

21-27 Lamb's Conduit Street London WC1N 3NL
1 Ferry Road Norwich NR1 1SU
50 St Andrews Street Cambridge CB2 3AH
tel: 020 7841 1980
tel: 01603 629571
tel: 01223 355667
email: info@feildenandmawson.com
www.feildenandmawson.com

CLIENT Circlot Homes
JOB Rose Lane, Norwich

DRAWING
Flat Type J

S2	Issued for Information
JOB 7891	PAPER A1 SCALE As indicated

Drawing Number
XX- FM- 00- XX- DR- A- 107- E00

DO NOT SCALE FROM THIS DRAWING ALL DIMENSIONS TO BE CONFIRMED ON SITE BY THE CONTRACTOR PRIOR TO CONSTRUCTION

\\files\Jobs\Current\7891 Rose Lane\K-CAD Drawings\01-BIM\01-architecture\01-Central File\7891 Rose Lane 04.rvt
08/08/2016 15:19:09

© COPYRIGHT FEILDEN+MAWSON LLP