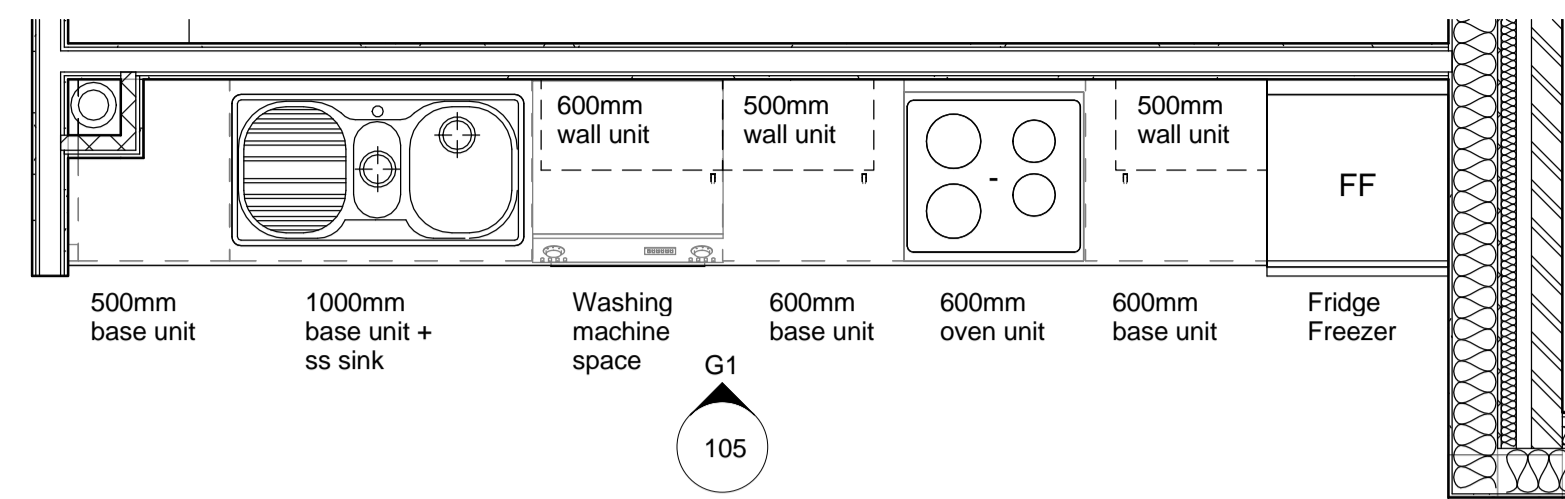
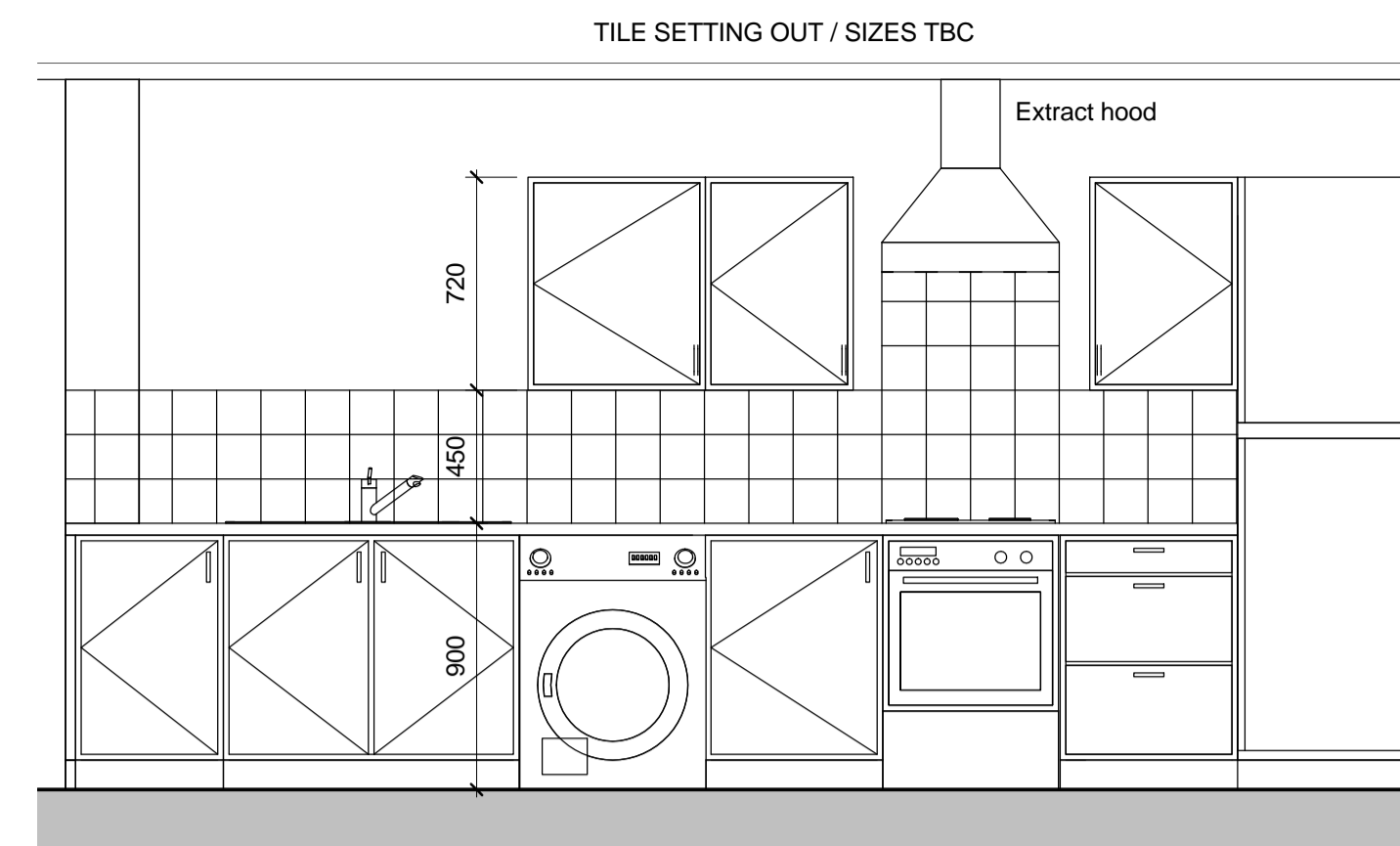


1 Flat Type G
1 : 50

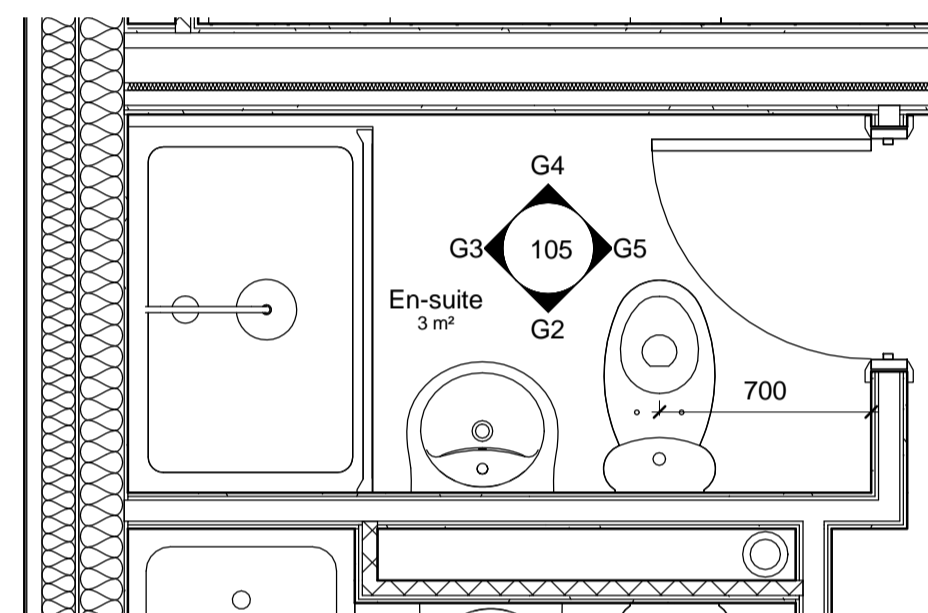
FLATS 7, 15 & 23
Note: All dimensions taken to stud face



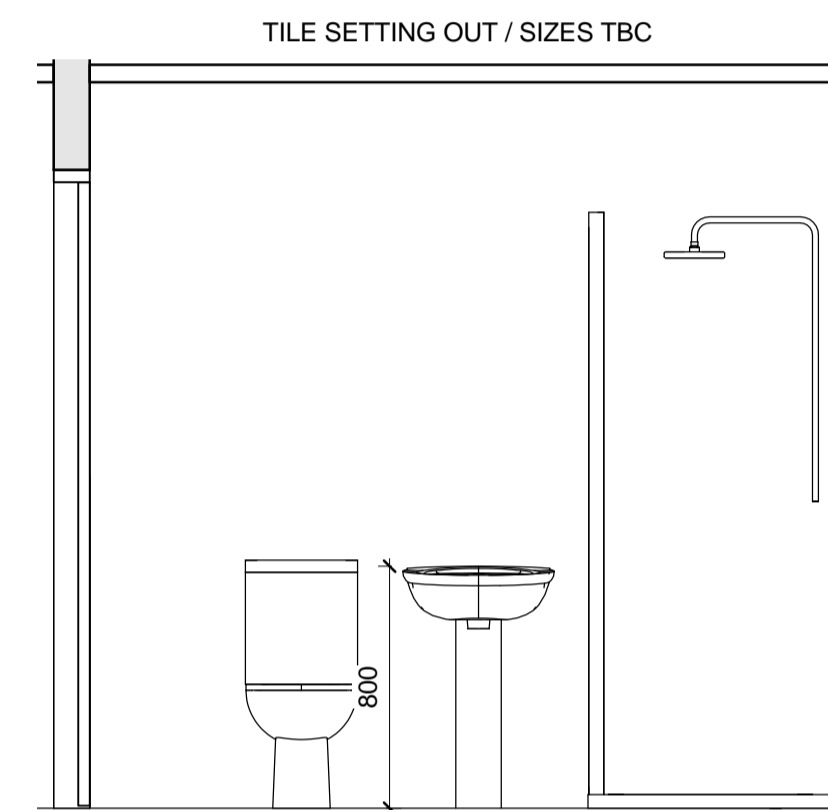
7 Flat Type G Kitchen
1 : 25



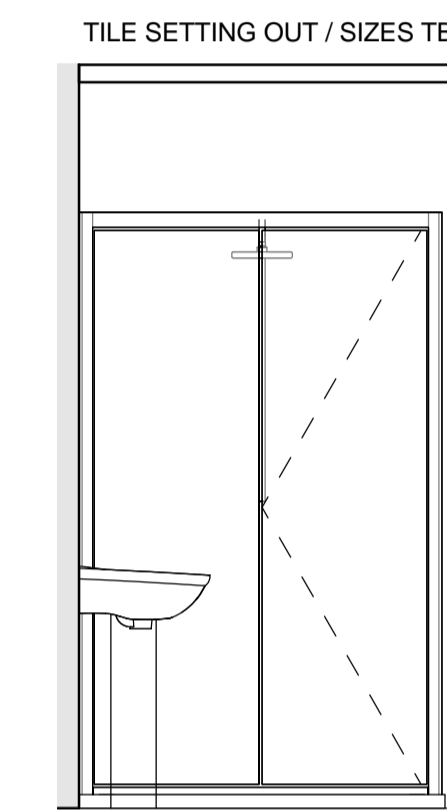
G1 Elevation G1
1 : 25



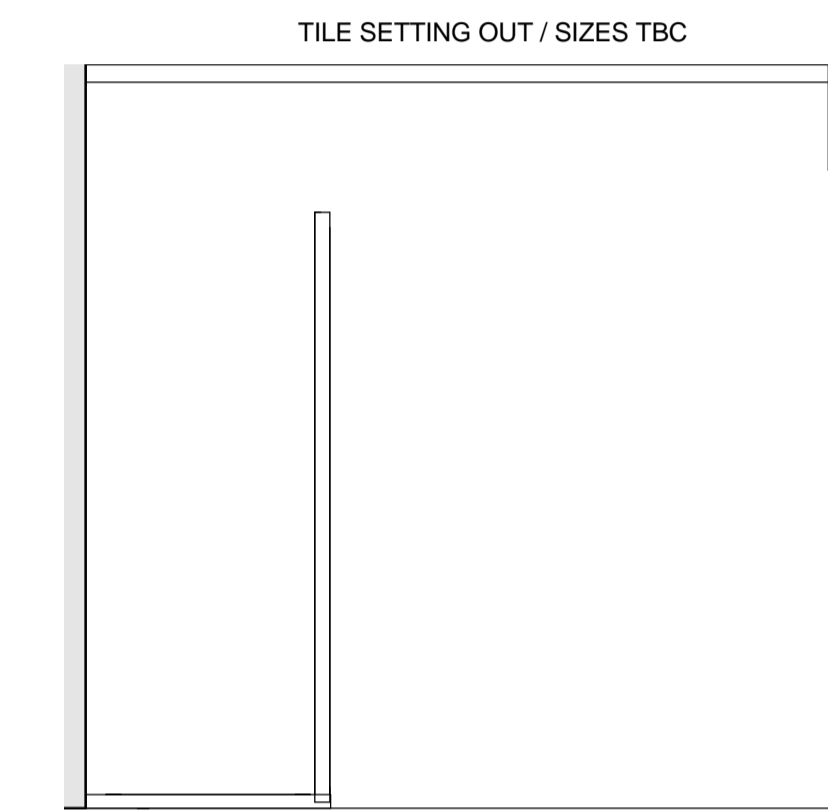
8 Flat Type G En-Suite
1 : 25



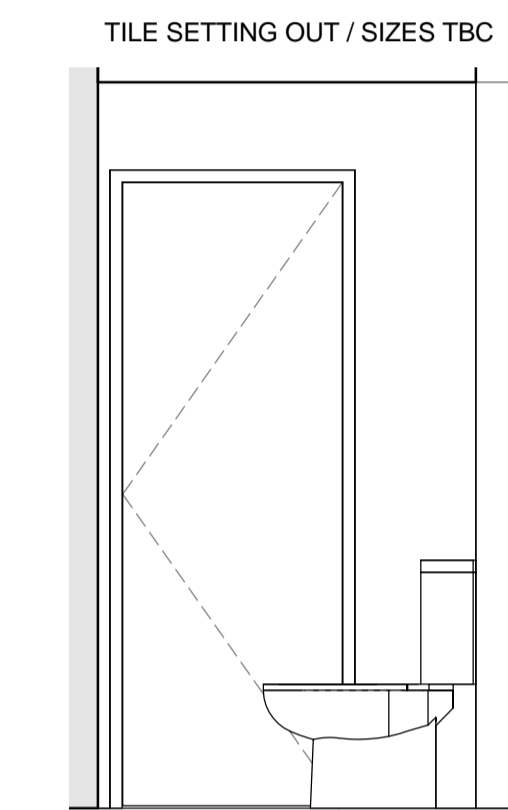
G2 Elevation G2
1 : 25



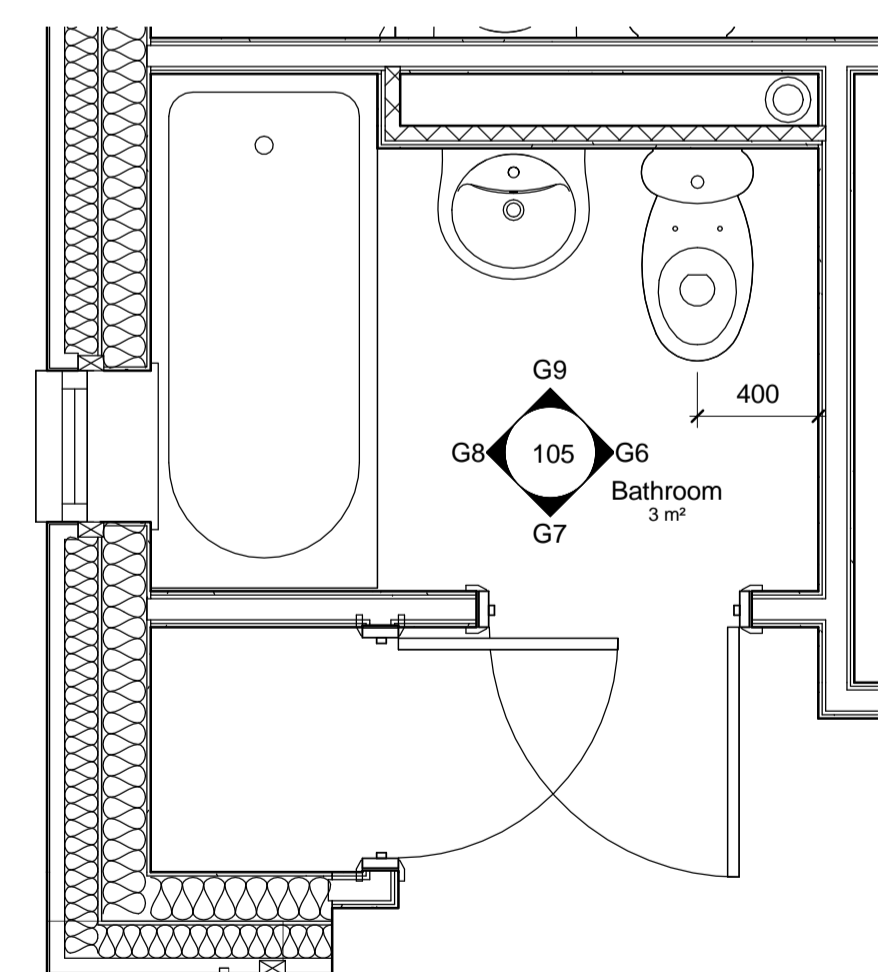
G3 Elevation G3
1 : 25



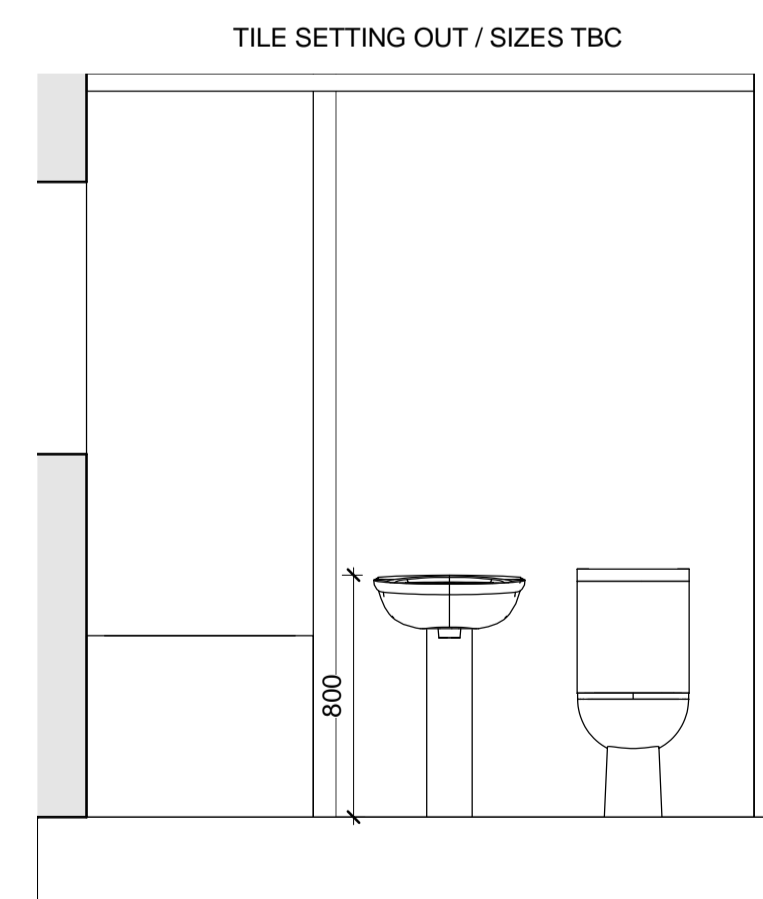
G4 Elevation G4
1 : 25



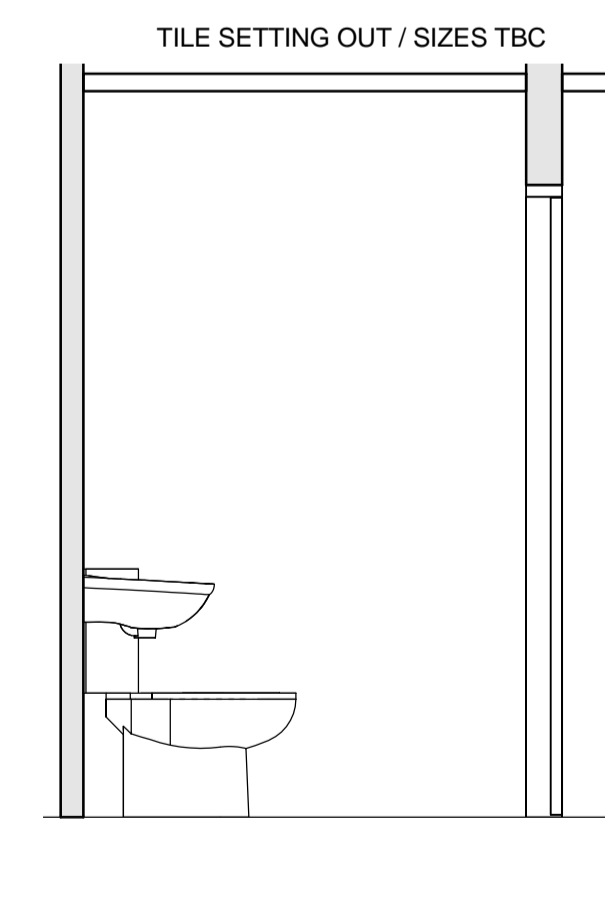
G5 Elevation G5
1 : 25



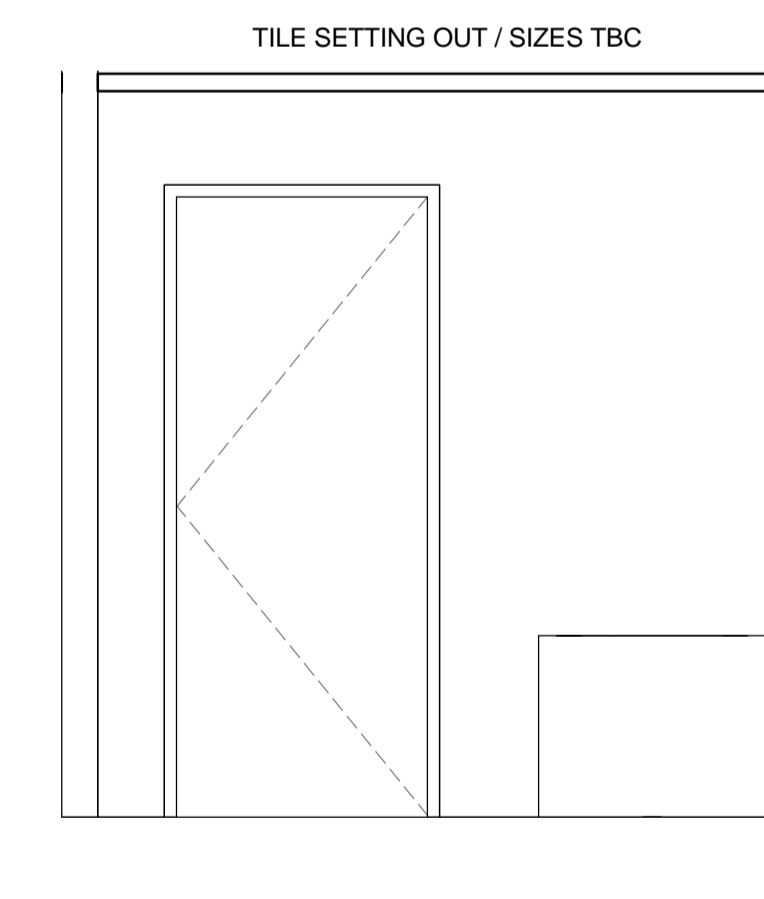
9 Flat Type G Bathroom
1 : 25



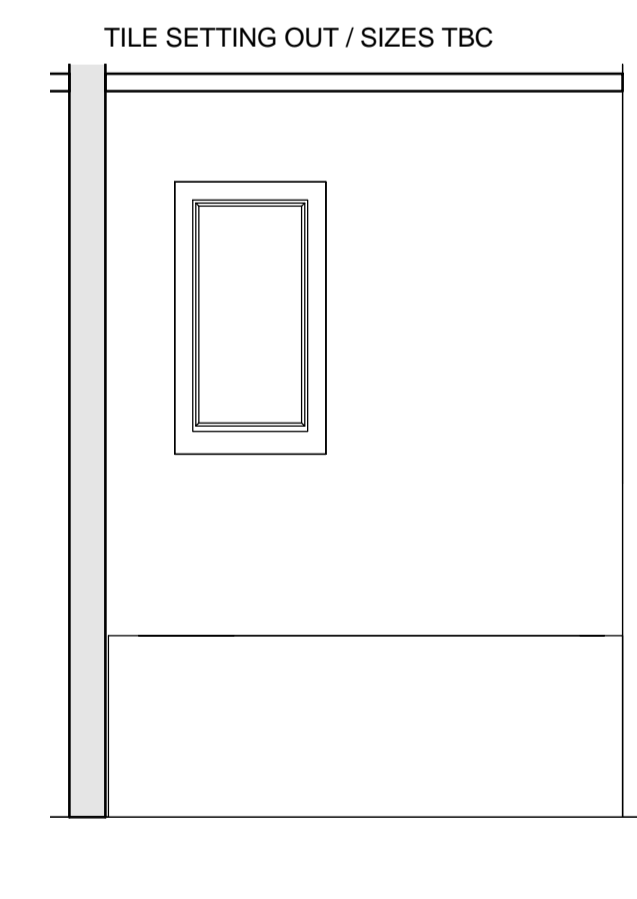
G9 Elevation G9
1 : 25



G6 Elevation G6
1 : 25



G7 Elevation G7
1 : 25



G8 Elevation G8
1 : 25

REV	DATE	CHK	AMENDMENTS	NOTES
E00	08.08.16	NJT	Initial Issue for information / comment	

Feilden+Mawson

21-27 Lamb's Conduit Street London WC1N 3NL
1 Ferry Road Norwich NR1 1SU
50 St Andrews Street Cambridge CB2 3AH
tel: 020 7841 1980
tel: 01603 629571
tel: 01223 355567
email: info@feildenandmawson.com
www.feildenandmawson.com

CLIENT Cirlet Homes

JOB Rose Lane, Norwich

DRAWING
Flat Type G

S2	Issued for Information
JOB 7891	PAPER A1 SCALE As indicated

Drawing Number
XX- FM-00- XX-DR- A- 105- E00

DO NOT SCALE FROM THIS DRAWING ALL DIMENSIONS TO BE CONFIRMED ON SITE BY THE CONTRACTOR PRIOR TO CONSTRUCTION

\\mfiles\Jobs\Current\7891 Rose Lane\K-CAD Drawings\01-BIM\01-architecture\01-Central File\7891 Rose Lane 04.rvt
08/08/2016 15:18:38

© COPYRIGHT FEILDEN+MAWSON LLP